

# Safety Light Curtains SB\*2-30 Series

CARLO GAVAZZI



- Safety Category 2 according to EN 61496-1 and /-2
- Hand resolution
- Self-monitoring
- Failure alarm / diagnosis by LED
- Quick installation and alignment
- Compact profile
- Approvals:



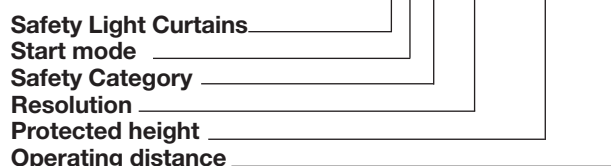
## Product Description

Safety category 2 light curtains, according to EN 61496-1 /-2. SB\*2-30 series is featured by 30 mm resolution for protecting hands. Self-monitoring is integrated and controls operating status of safety outputs every 0,5 s. SB\*2-30 series can be provided with manual or automatic START

depending on the version and with 2 PNP safety outputs. These safety light curtains can be used together with NL control module series over a large variety of industrial applications and wherever a compact and reliable safety device is required.

## Ordering Key

**SBA2-30/334-D15**



## Type Selection

Protected height	Response time (ms)	Number of beams	Overall height H	Ordering no. Automatic START	Ordering no. Manual START
187mm (7.36")	14	8	227mm (8.94")	SBA2-30/187-D15	SBM2-30/187-D15
334mm (13.15")	15	16	374mm (14.72")	SBA2-30/334-D15	SBM2-30/334-D15
481mm (18.94")	16	24	521mm (20.51")	SBA2-30/481-D15	SBM2-30/481-D15
628mm (24.72")	17	32	668mm (26.3")	SBA2-30/628-D15	SBM2-30/628-D15
775mm (30.51")	18	40	815mm (32.09")	SBA2-30/775-D15	SBM2-30/775-D15
922mm (36.3")	19	48	962mm (37.87")	SBA2-30/922-D15	SBM2-30/922-D15
1069mm (42.09")	20	56	1109mm (43.66")	SBA2-30/1069-D15	SBM2-30/1069-D15
1216mm (47.87")	22	64	1256mm (49.45")	SBA2-30/1216-D15	SBM2-30/1216-D15
1363mm (53.66")	23	72	1403mm (55.24")	SBA2-30/1363-D15	SBM2-30/1363-D15
1510mm (59.45")	24	80	1550mm (61.02")	SBA2-30/1510-D15	SBM2-30/1510-D15

## General Specifications

Resolution	30 mm (1.18")	START mode	Automatic or Manual (see type selection tab.)
Operating distance	0.2 to 15 m (7.9" to 49'2")	Response time	See type selection tab.



### Electrical Specifications

Power supply	24 Vac ± 20%	Light emission	Infrared (880 nm)
Emitter consumption	70 mA max	Output function	2 PNP
Receiver consumption	100 mA max	Output current	0.5 A max (single output)

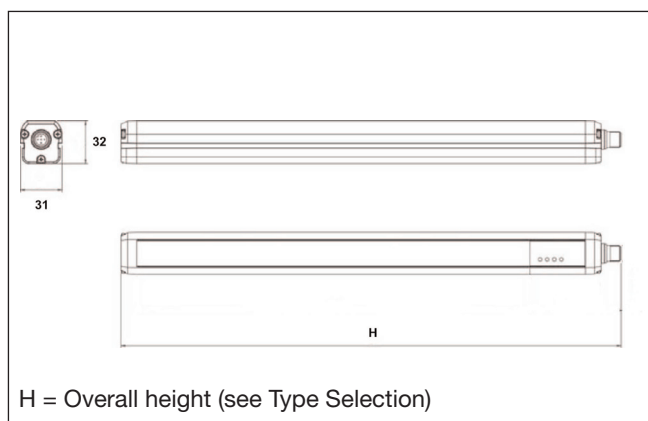
### Environmental Specifications

Operating temperature	0 to + 55°C	Storage temperature	-25 to + 70°C
-----------------------	-------------	---------------------	---------------

### Mechanical Specifications

Receiver connection	M 12 5-pole connector Standard shielded cable length: 3, 5 or 10 m	Protection degree	IP 65
Emitter connection	M 12 4-pole connector Standard shielded cable length: 3, 5 or 10 m	Housing material	Painted aluminum (yellow Ral 1028)
		Weight	1.2 Kg max/m of total height

### Dimensions



### Wiring Diagrams

